

# RKT-825 TRIMMER POTENTIOMETER-8mm CERAMIC



- 8mm Round/ Single-Turn/ Cermet Industrial/ Open Frame
- Cross slot adjustment options
- Horizontal and vertical mounting styles
- Dust resistant/ splash resistant covers
- PC board stand-offs and retention feature
- Front and top adjust styles

Electrical Characteristics	
Standard Resistance Range	100Ω to 1meg ohm (see standard resistance table)
Resistance Tolerance	±20% (TK±25%)
Adjustment Angle	280° ± 15°
Residual Resistance	≤500Ω, 10Ω>500Ω, 2% (TK≤1KΩ, 2KΩ>1KΩ, 5%)

Environmental Characteristics	
Power Rating Max Working Voltage	250V (TK0.1Watt)
70°C	0.3Watt (TK0.2Watt)
Temperature Range	-30°C to +100°C (TK -25°C to +100°C)
Temperature Coefficient	±250ppm/°C (TK±1000 ppm/°C)
Rotational Life	±10% (TK±15%)
Load Life	1000 hours 0.3Watt 70°C ±5% (TK 500 hours 0.2Watt 70°C ≤100KΩ, +7%>100KΩ, ±10%)

Physical Characteristics	
Torque (Operating)	50~350gf. Cm
Stop Strength	0.8kgf. cm
Soldering Conditions	240°C to 260°C And within 3 seconds
Marking	Resistance Code
Standard Packing	500 PCS Per bag
Aqueous clearing not recommended	

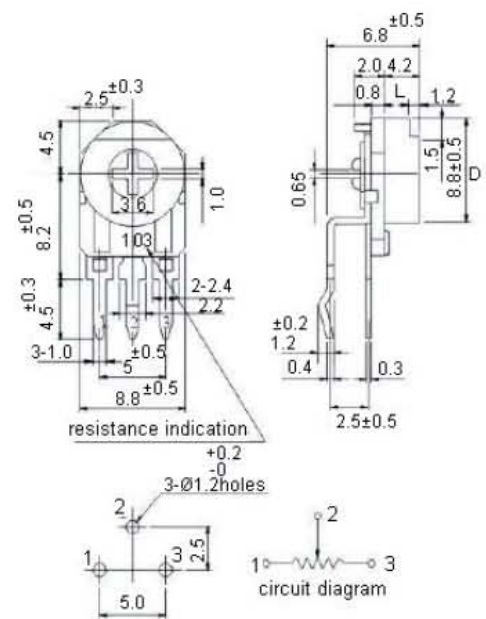
How to Order	
Model	RKT-825C-R-101-R
Style	
Resistance Code	
RoHS	

Resistance Table	
Resistance(Ohms)	Resistance Code
100	101
200	201
300	301
500	501
1,000	102
10,000	103
100,000	104
1,000,000	105

Cover Style	L	D
Q	N1	4.2
	N2	6.7
	N4	12.7
G	K2	5.7
	K3	9.7
	K5	15

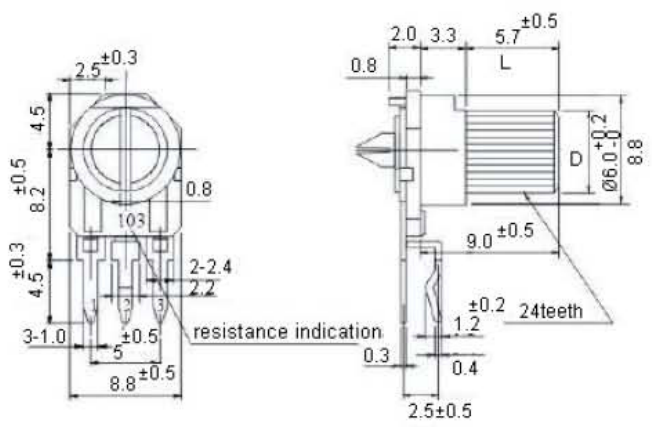
## Common Dimensions

### RKT-825C-R



MOUNTING DETAIL TOLERANCE±0.1

### RKT-825H-F

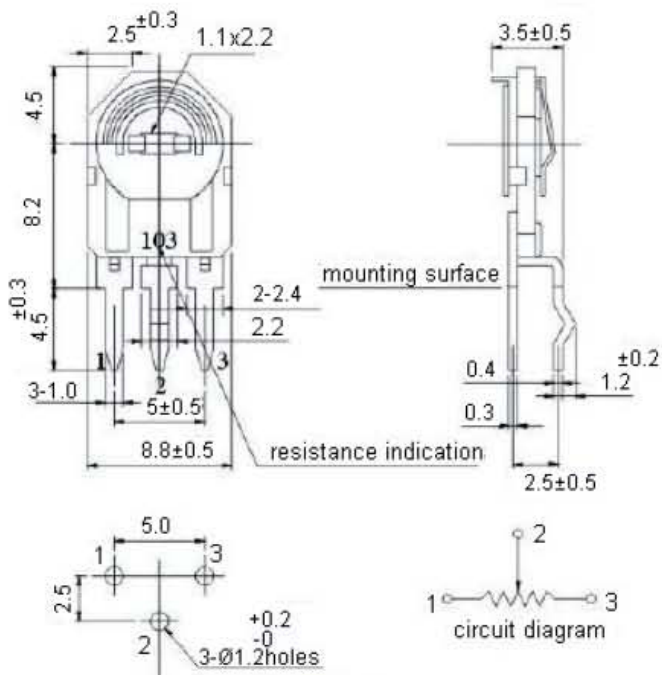


MOUNTING DETAIL TOLERANCE±0.1

# RKT-825 TRIMMER POTENTIOMETER-8mm CERAMIC

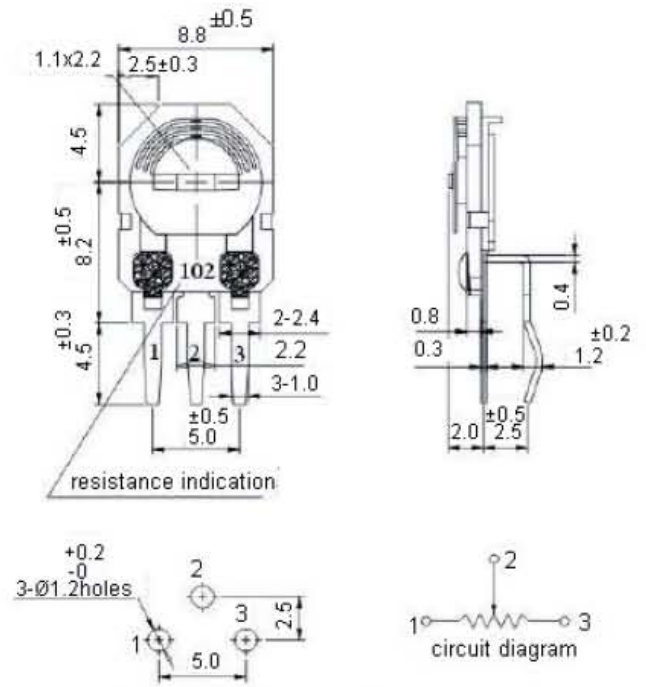
## Common Dimensions

### RKT-825M-F



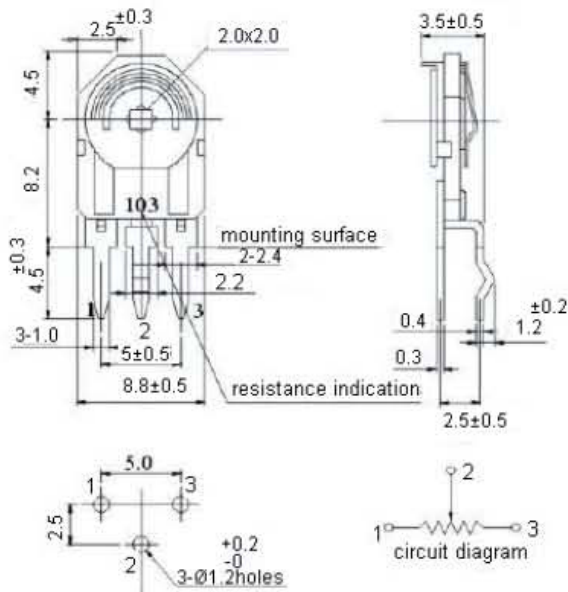
MOUNTING DETAIL TOLERANCE  $\pm 0.1$

### RKT-825M-R



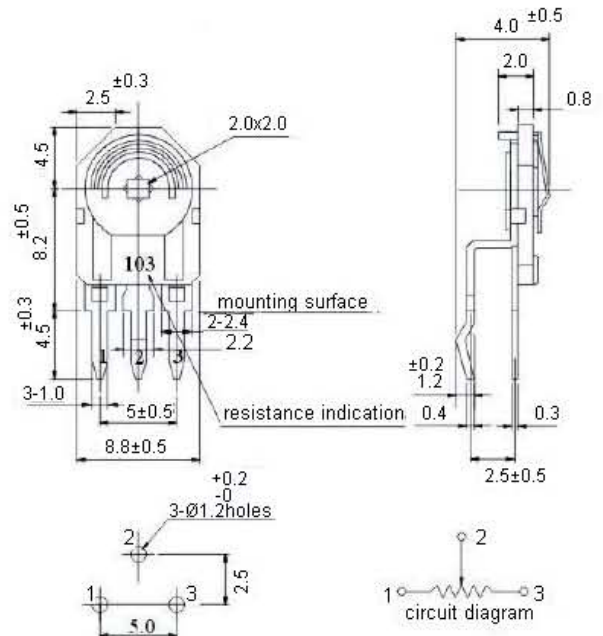
MOUNTING DETAIL TOLERANCE  $\pm 0.1$

### RKT-825S-F



MOUNTING DETAIL TOLERANCE  $\pm 0.1$

### RKT-825S-R



MOUNTING DETAIL TOLERANCE  $\pm 0.1$