

RKT-625 TRIMMER POTENTIOMETER-6mm CERAMIC



- 6mm Round/ Single-Turn/ Cermet Industrial/ Open Frame
- Cross slot adjustment options
- Horizontal and vertical mounting styles
- Dust resistant/ splash resistant covers
- PC board stand-offs and retention feature
- Front and top adjust styles

Electrical Characteristics	
Standard Resistance Range	100Ω to 1meg ohm (see standard resistance table)
Resistance Tolerance	±20% (TK±25%)
Adjustment Angle	240° ± 20°
Residual Resistance	≤500Ω 10Ω>500Ω 2% (TK≤1KΩ 2KΩ>1KΩ 5%)

Environmental Characteristics	
Power Rating Max Working Voltage	100V
70°C	0.3Watt (TK0.1Watt)
Temperature Range	-30°C to +85°C (TK -10°C to +70°C)
Temperature Coefficient	±250ppm/°C (TK±1000 ppm/°C)
Rotational Life	±10% (TK±15%)
Load Life	500 hours 0.3Watt 70°C ±5% (TK 240 hours 0.1Watt 50°C +5%-20%)

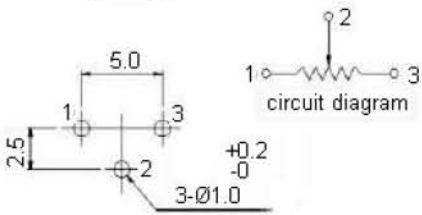
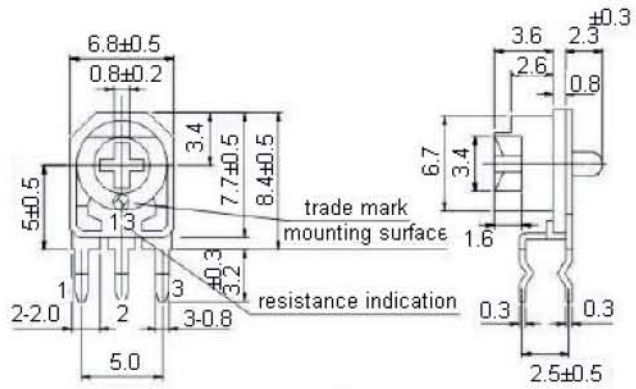
Physical Characteristics	
Torque (Operating)	30~300gf. Cm
Stop Strength	0.5kgf cm
Soldering Conditions	240°C to 260°C And within 3 seconds
Marking	Resistance Code
Standard Packing	500 PCS Per bag
Aqueous cleaning not recommended	

How to Order	
Model	RKT-625C--F--101--R
Style	
Resistance Code	
RoHS	

Resistance Table	
Resistance (Ohm Ω)	Resistance Code
100	101
220	221
500	501
1,000	102
2,200	222
10,000	103
220,000	224
1,000,000	105

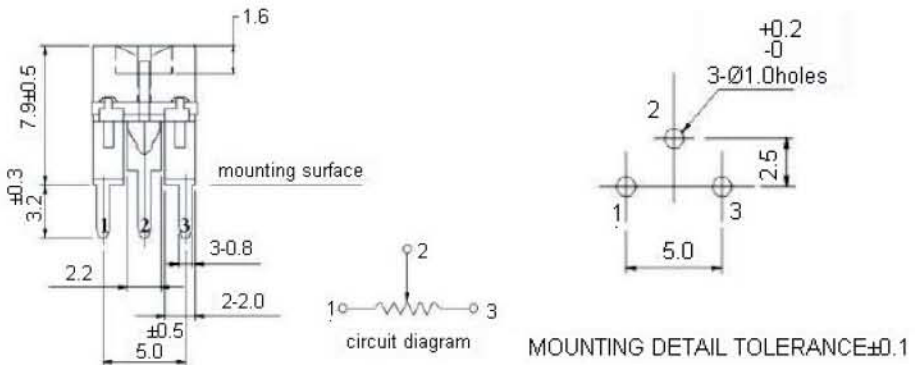
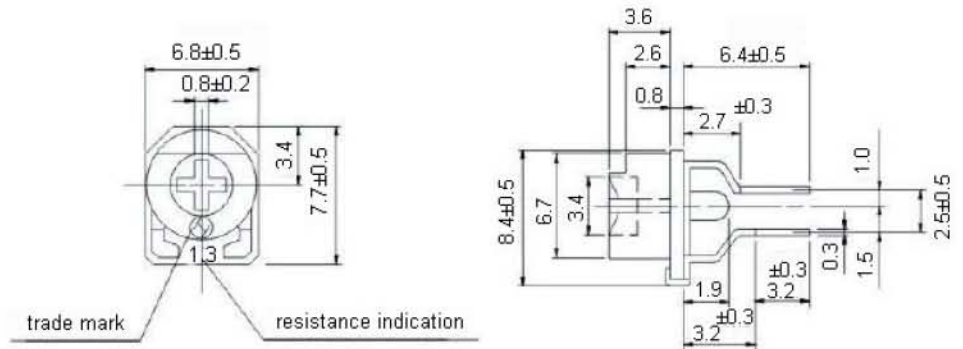
Common Dimensions

RKT-625C-F



MOUNTING DETAIL TOLERANCE±0.1

RKT-625C-H

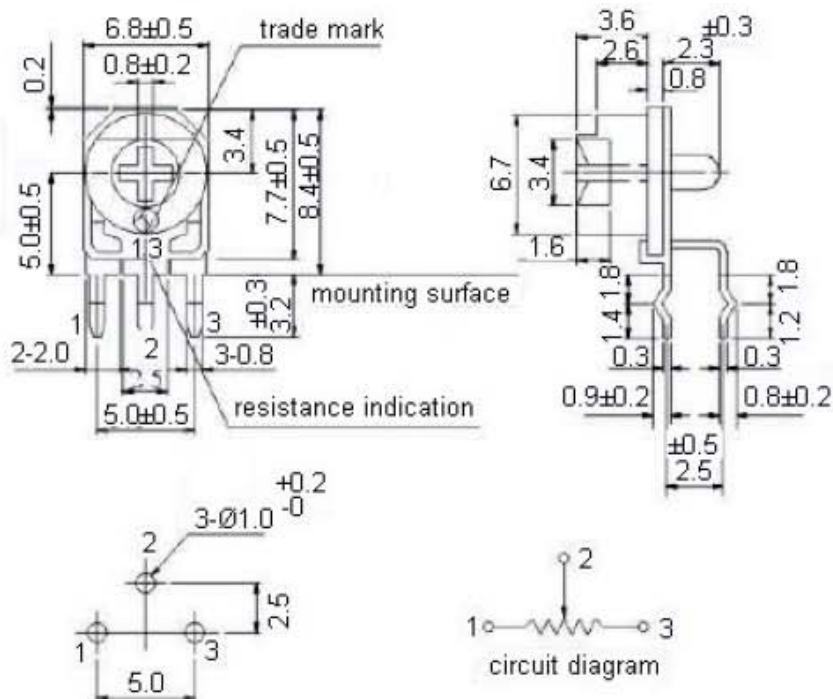


MOUNTING DETAIL TOLERANCE±0.1

RKT-625 TRIMMER POTENTIOMETER-6mm CERAMIC

Common Dimensions

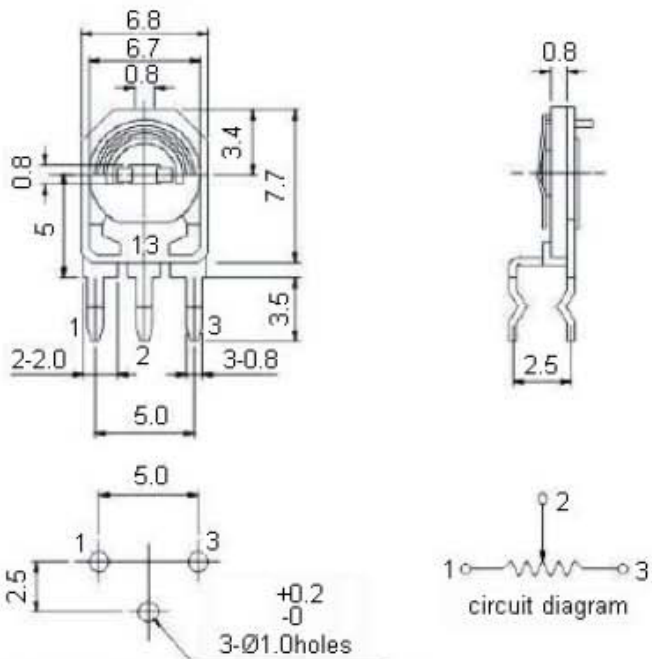
RKT-625C-R



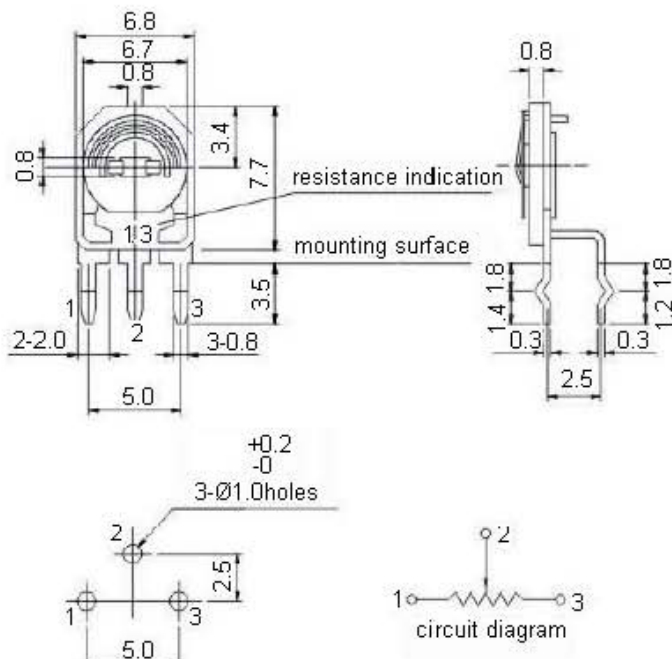
MOUNTING DETAIL TOLERANCE ± 0.1

RKT-625M-F

RKT-625M-R



MOUNTING DETAIL TOLERANCE ± 0.1



MOUNTING DETAIL TOLERANCE ± 0.1